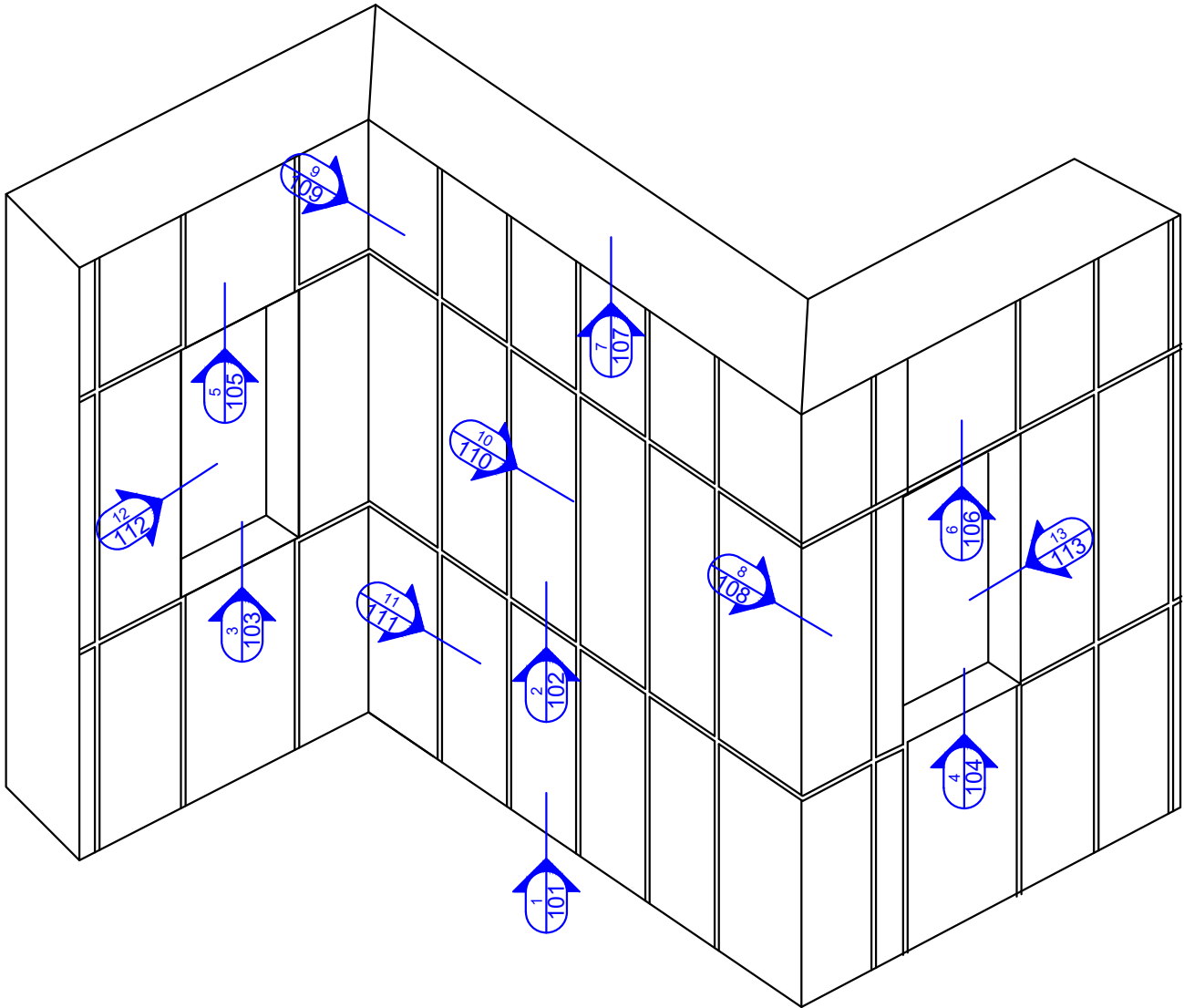
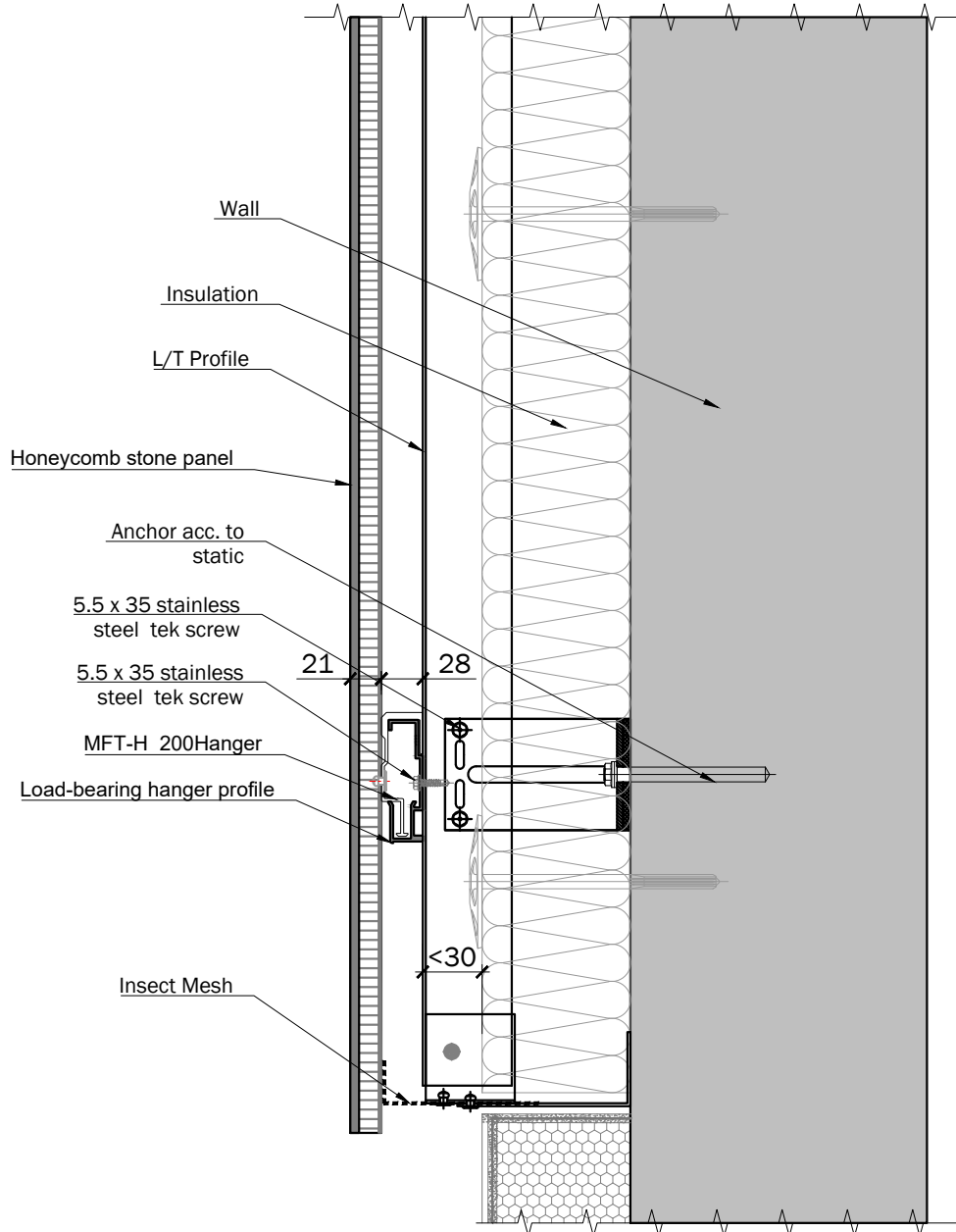


VIEW OF CLADDING

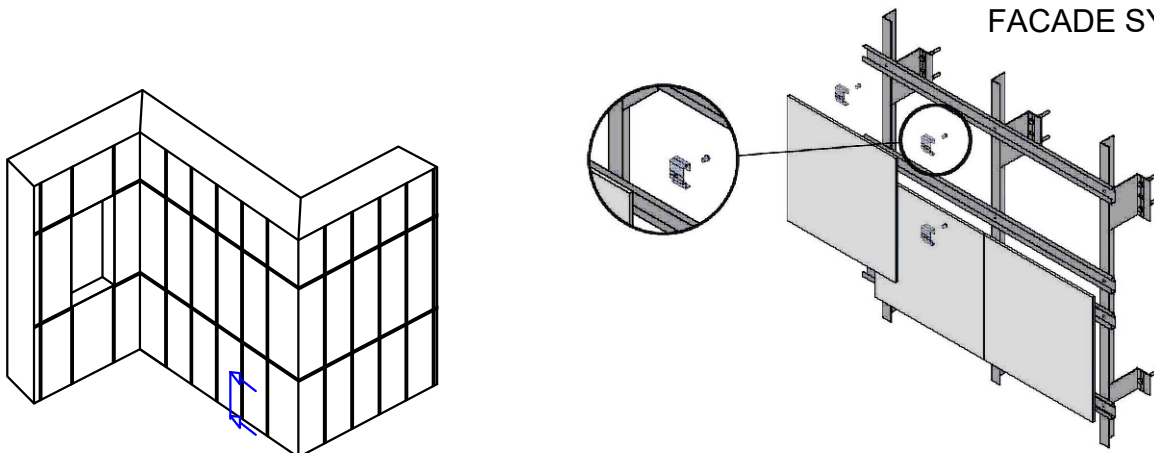


DETAIL - 1	101
DETAIL - 2	102
DETAIL - 3	103
DETAIL - 4	104
DETAIL - 5	105
DETAIL - 6	106
DETAIL - 7	107
DETAIL - 7.1	107-1
DETAIL - 8	108
DETAIL - 9	109
DETAIL - 10	110
DETAIL - 11	111
DETAIL - 12	112
DETAIL - 13	113
DETAIL - 14	114
DETAIL - 15	115

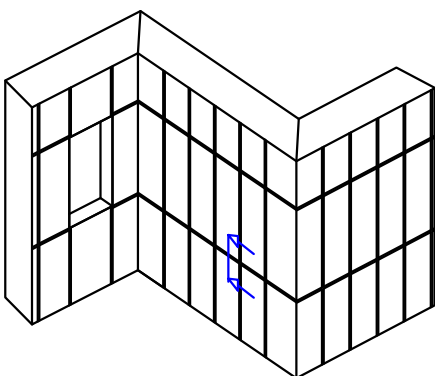
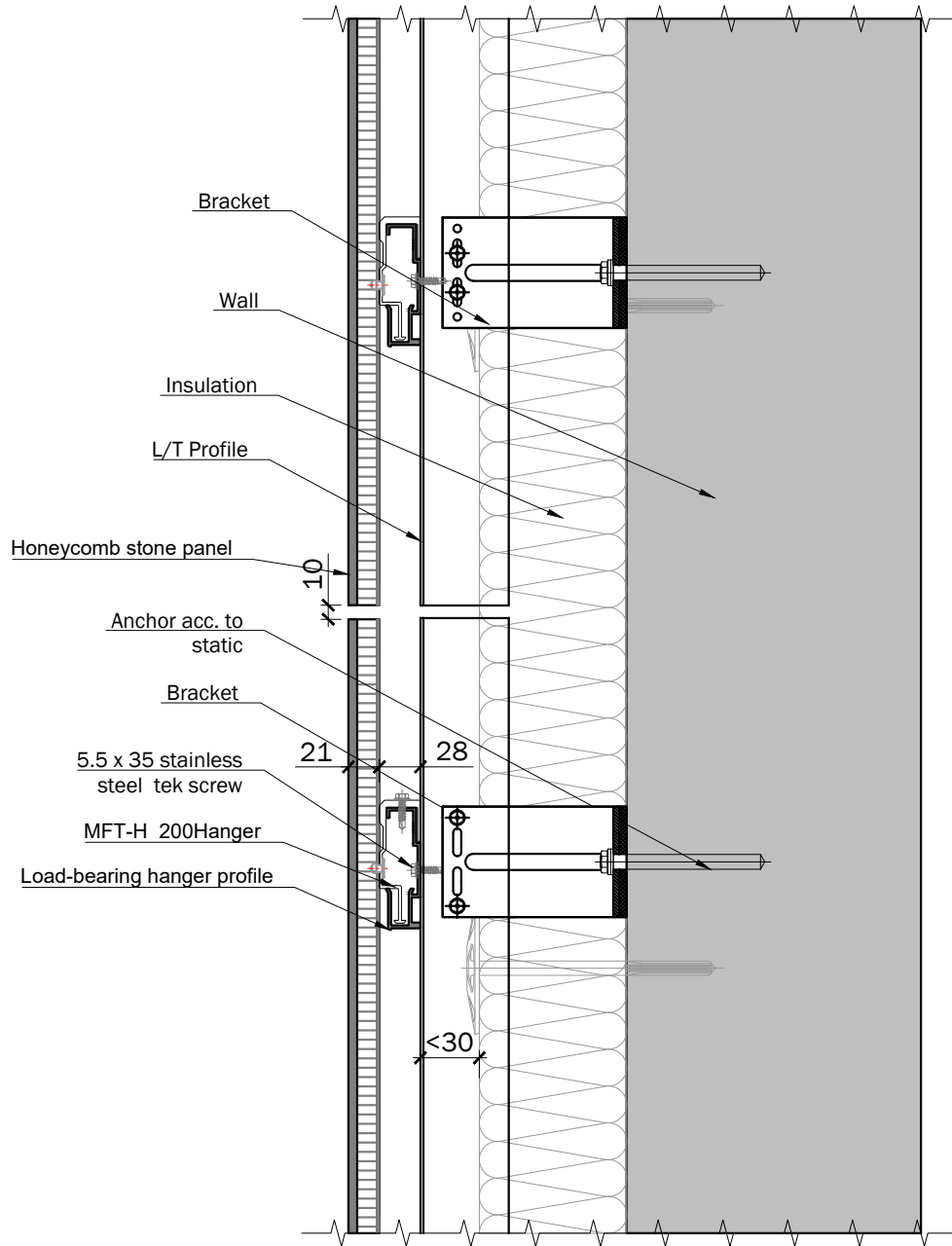
DETAIL 101

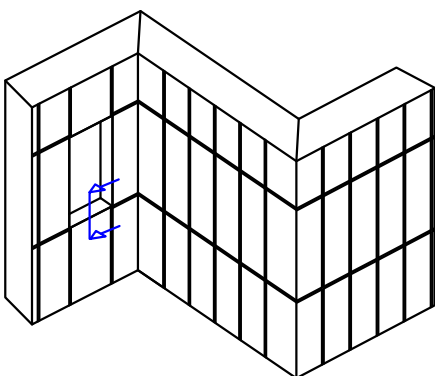
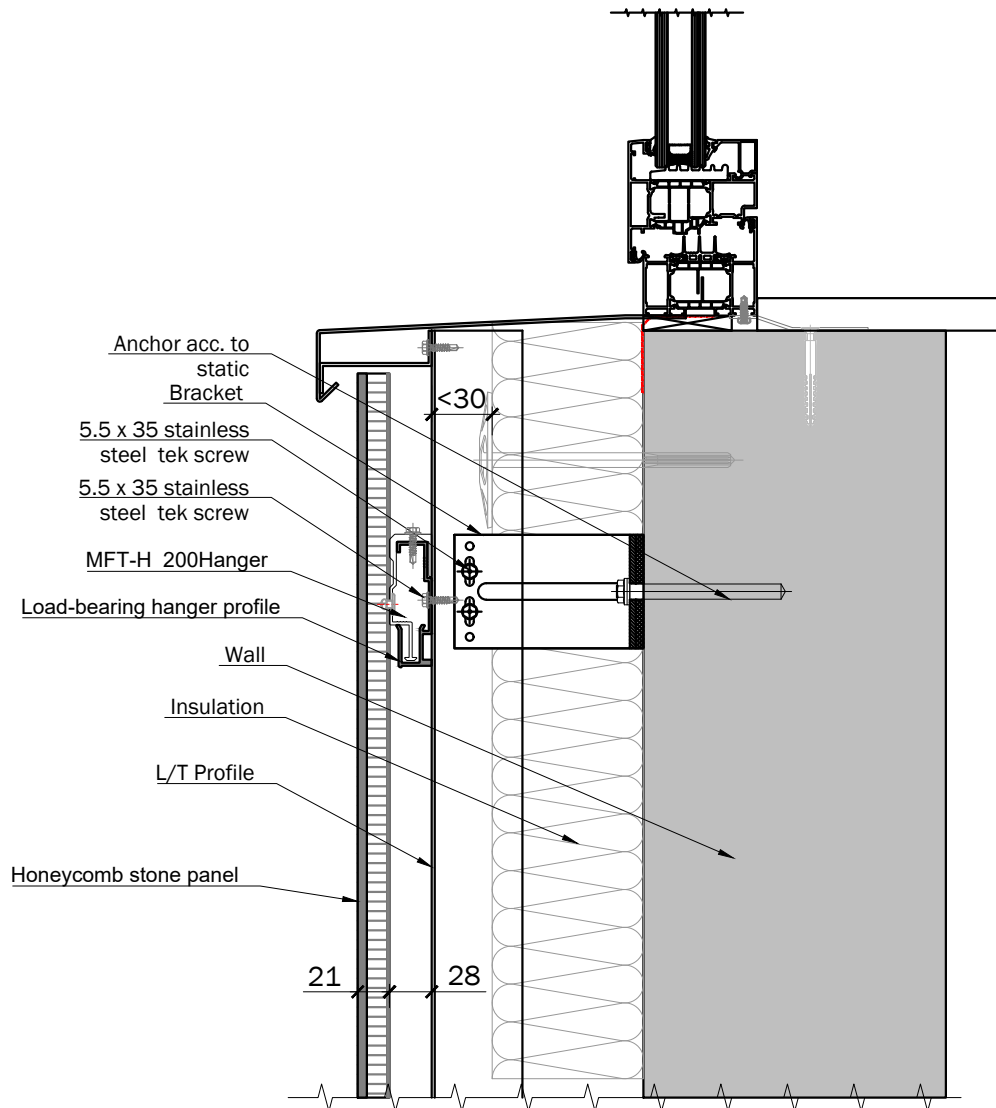


FACADE SYSTEM

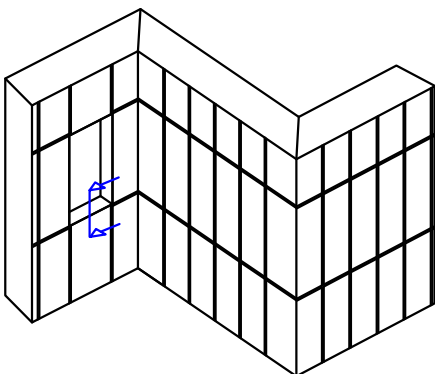
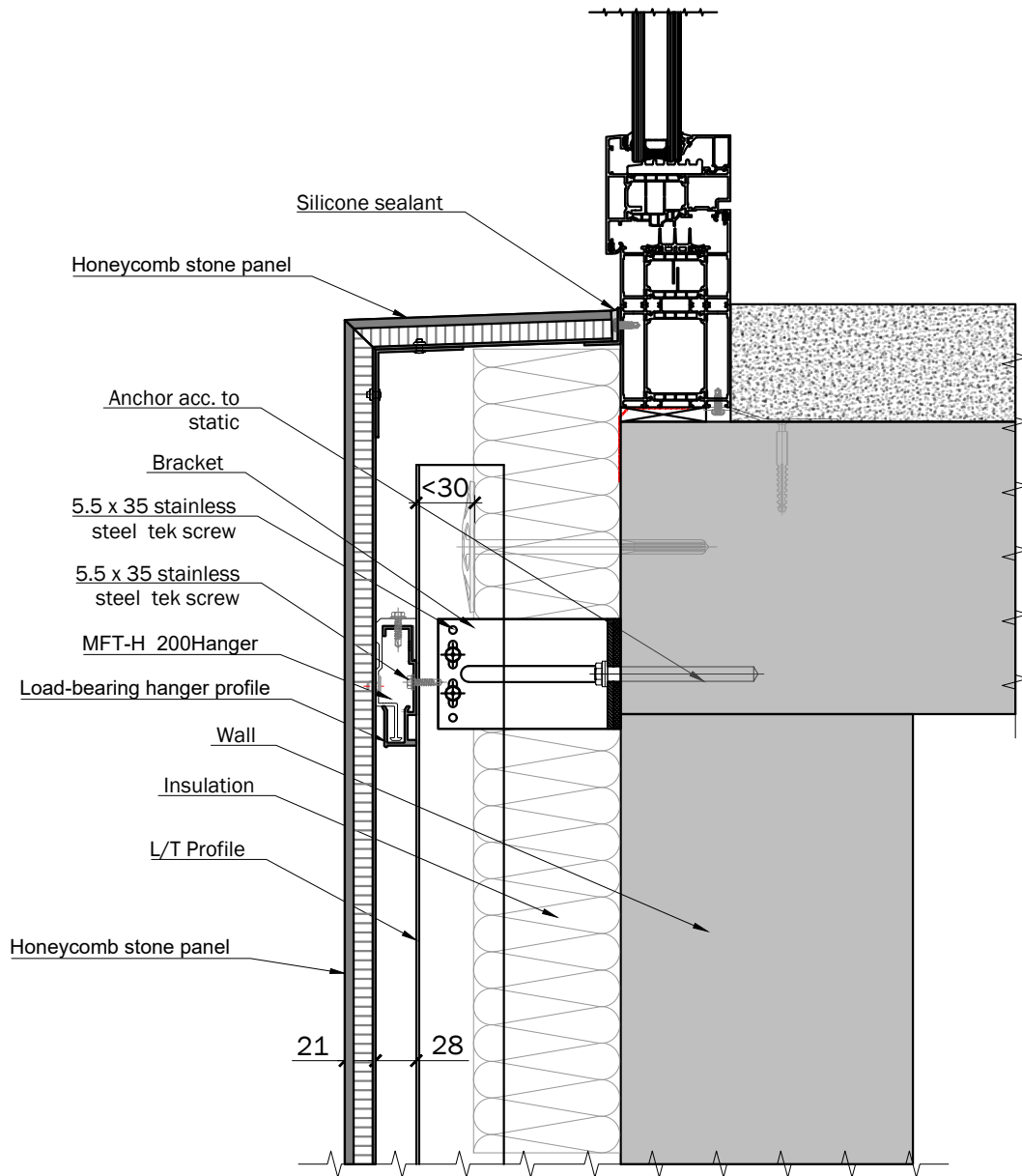


DETAIL 102

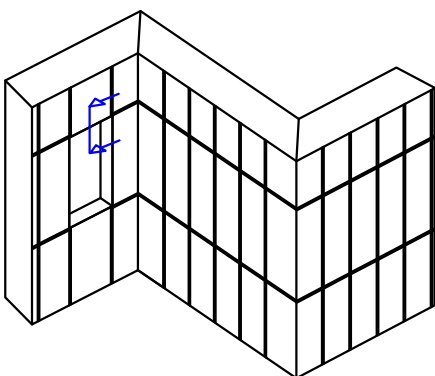
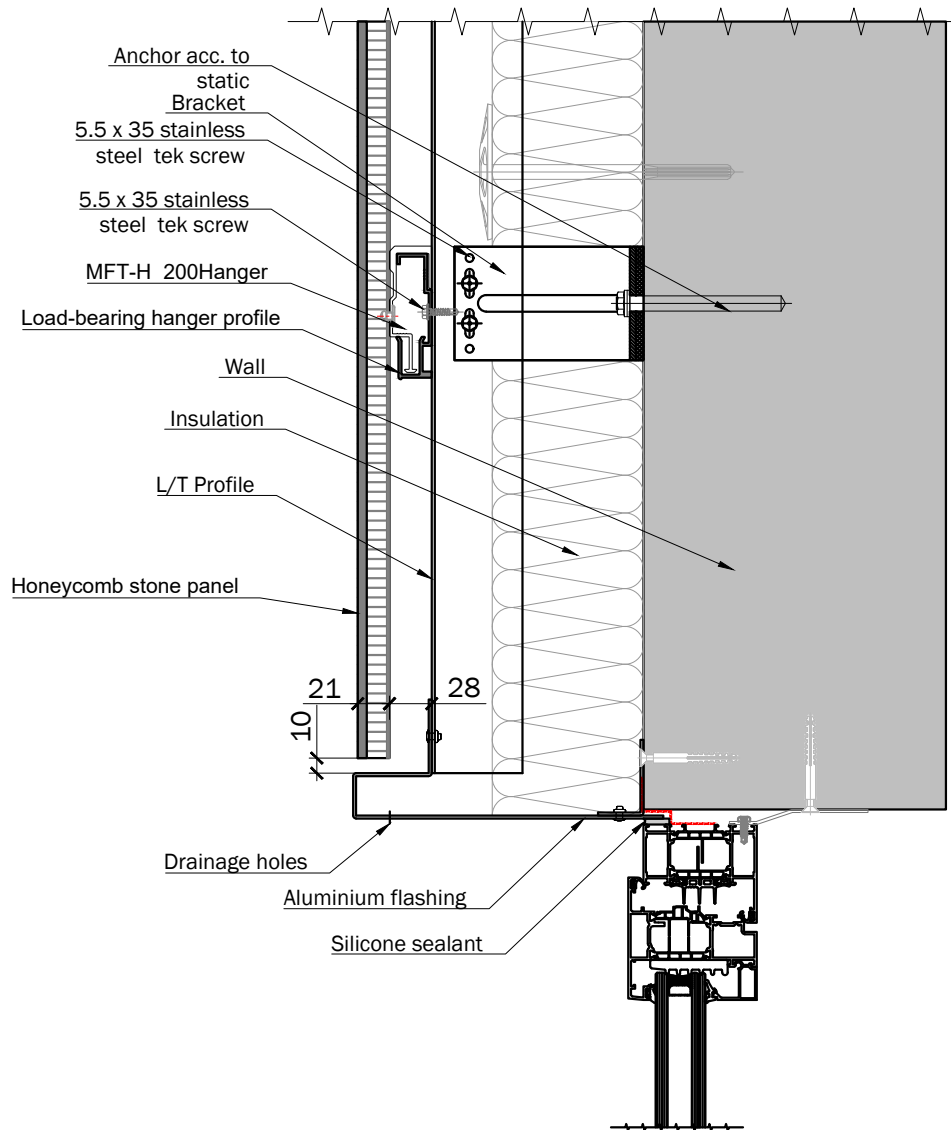




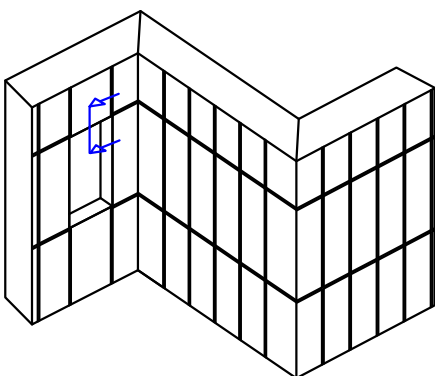
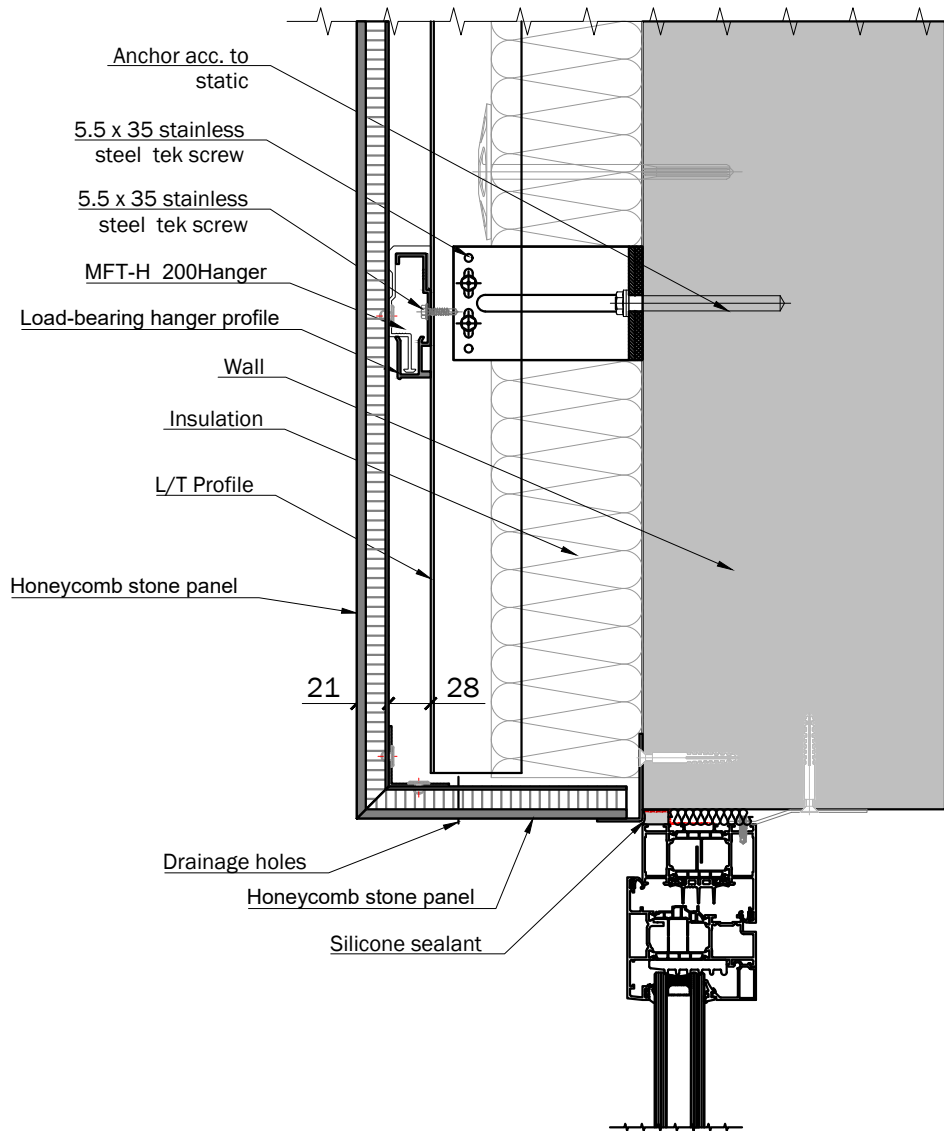
DETAIL 104



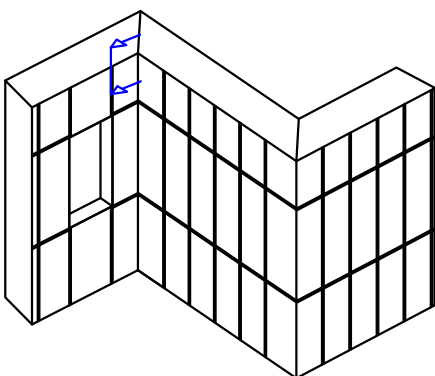
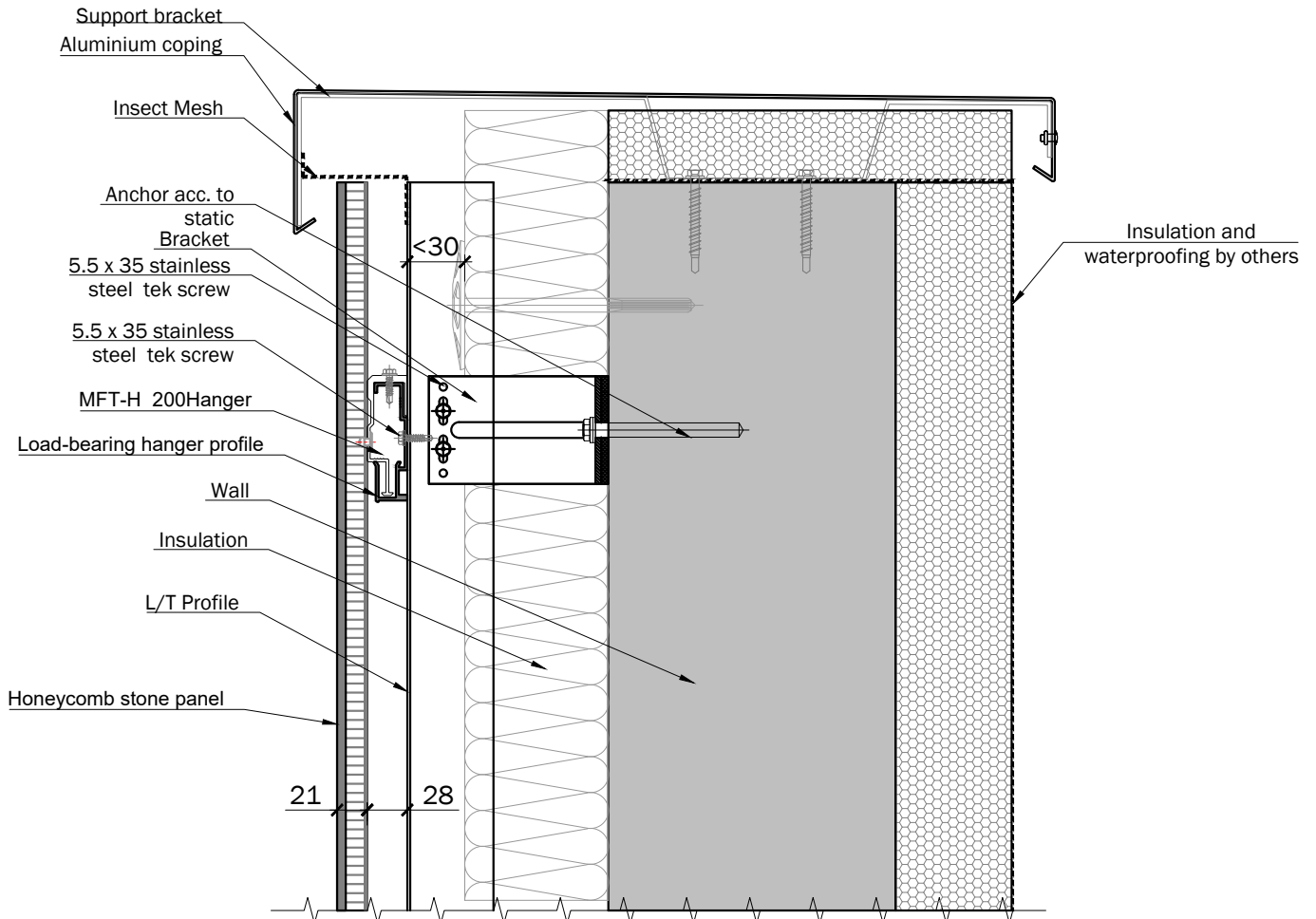
DETAIL 105



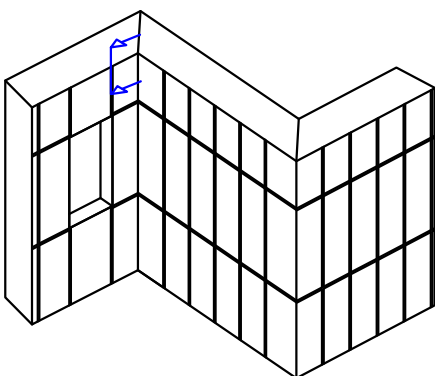
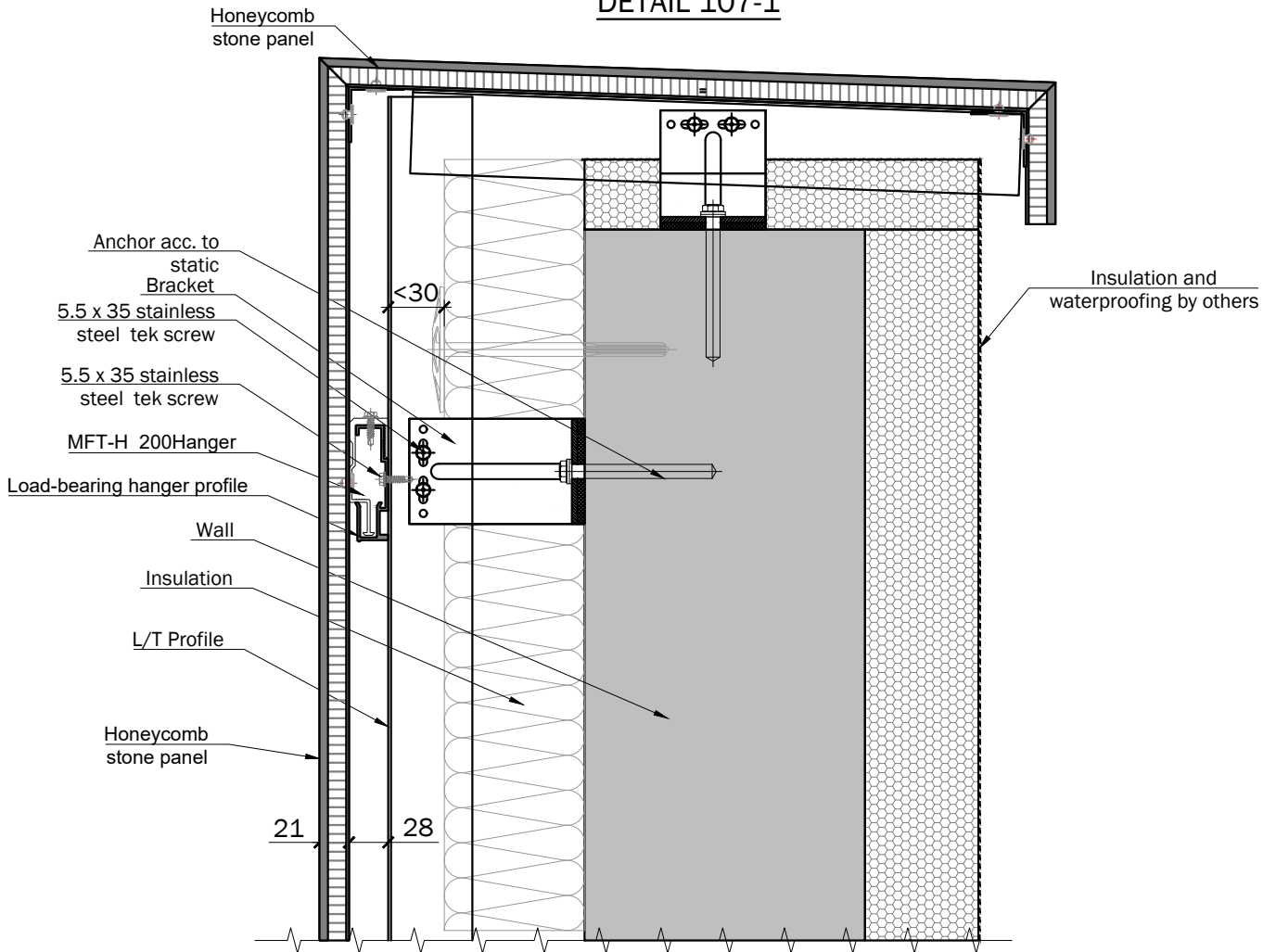
DETAIL 106



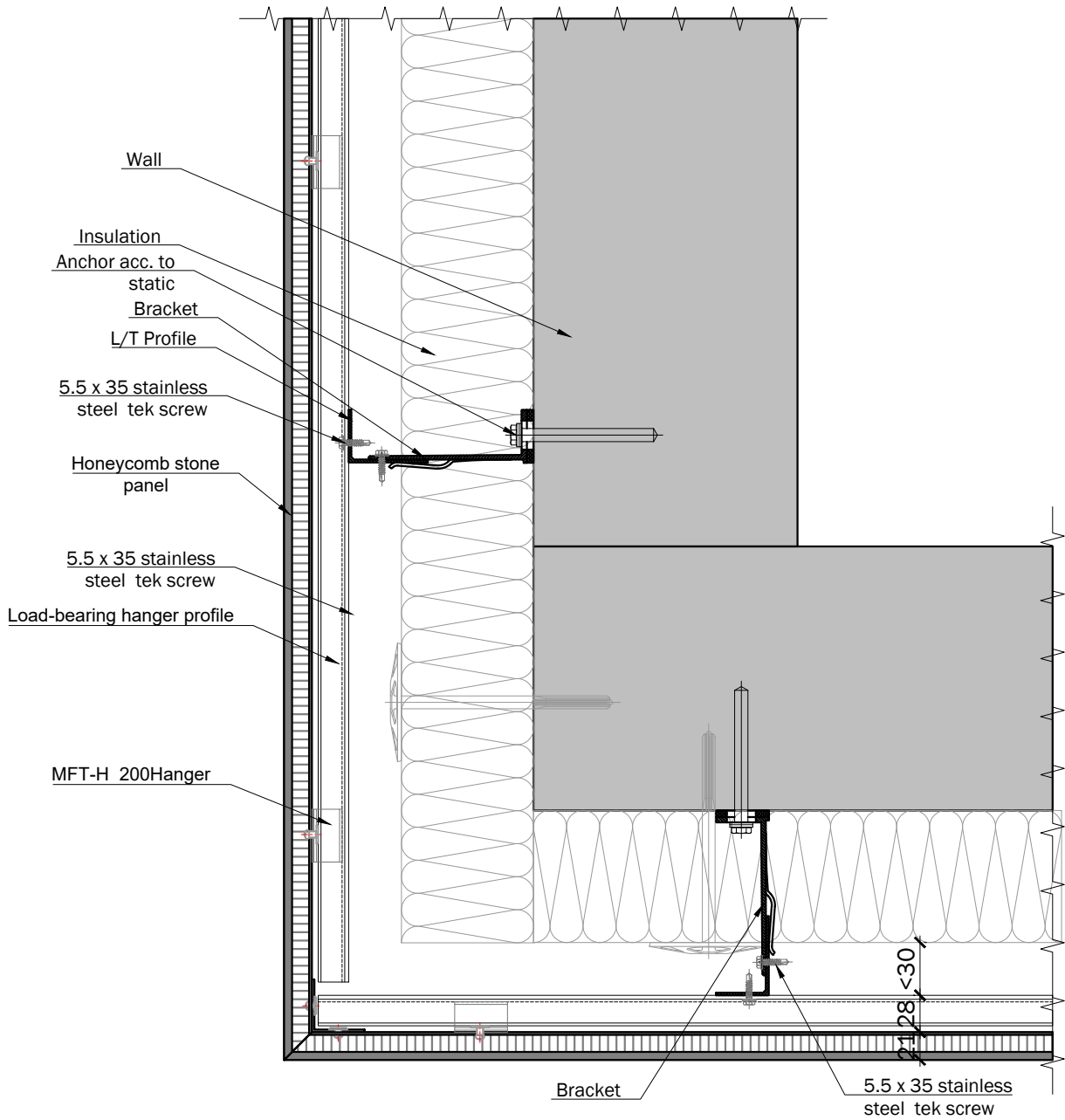
DETAIL 107



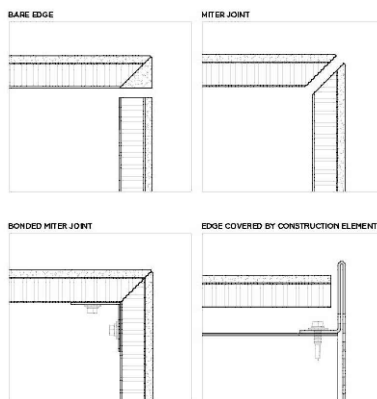
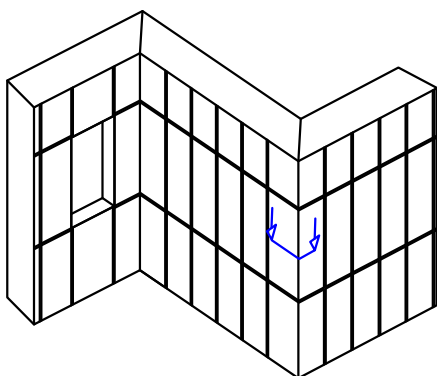
DETAIL 107-1



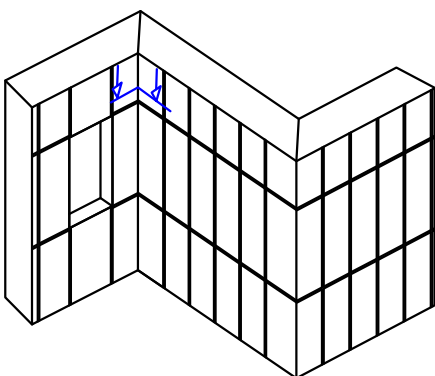
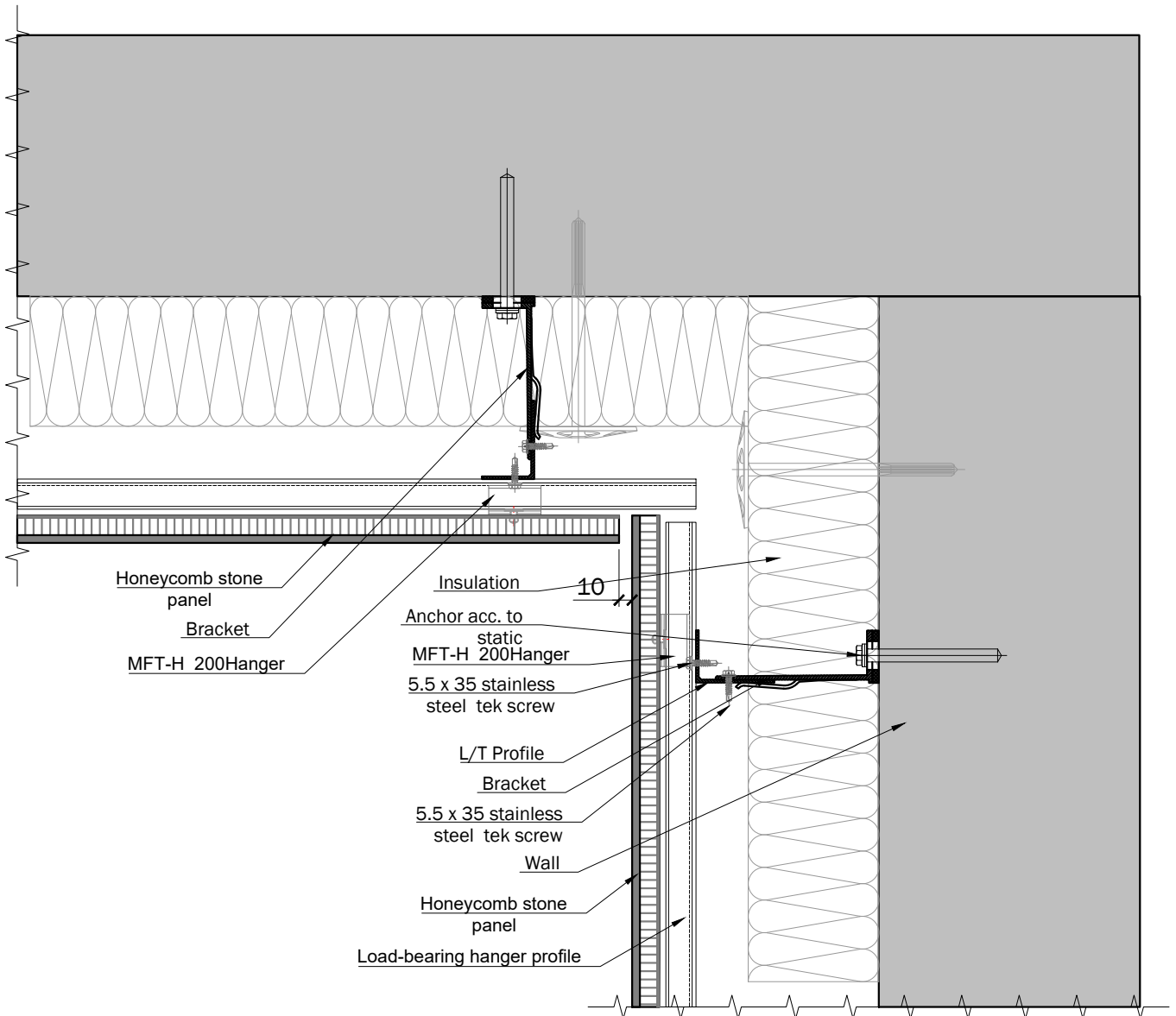
DETAIL 108



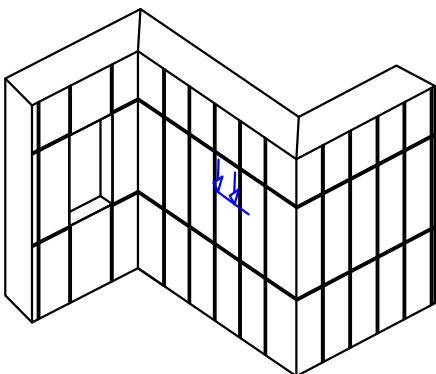
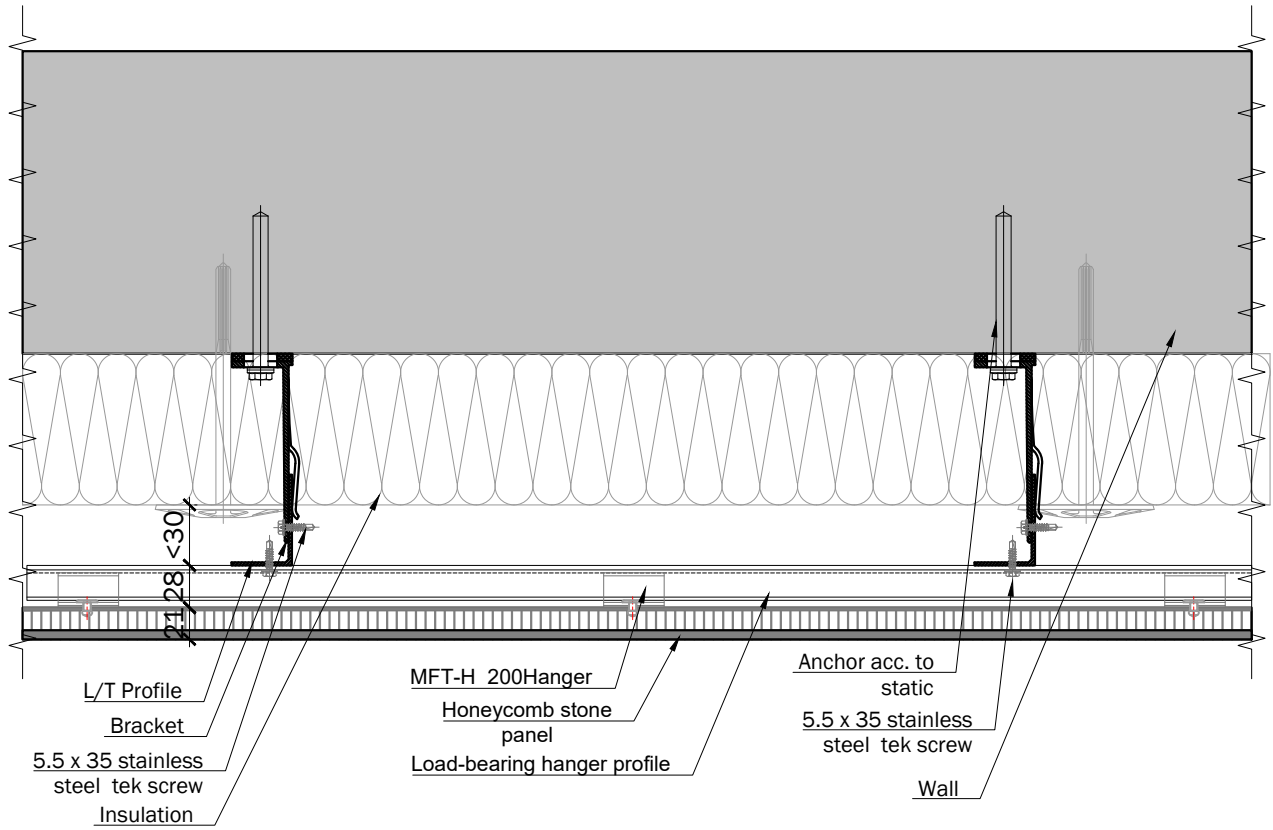
BORDERS ANNEX



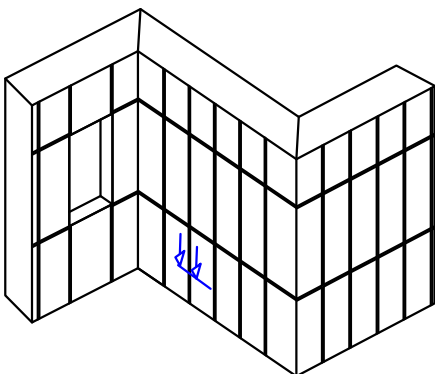
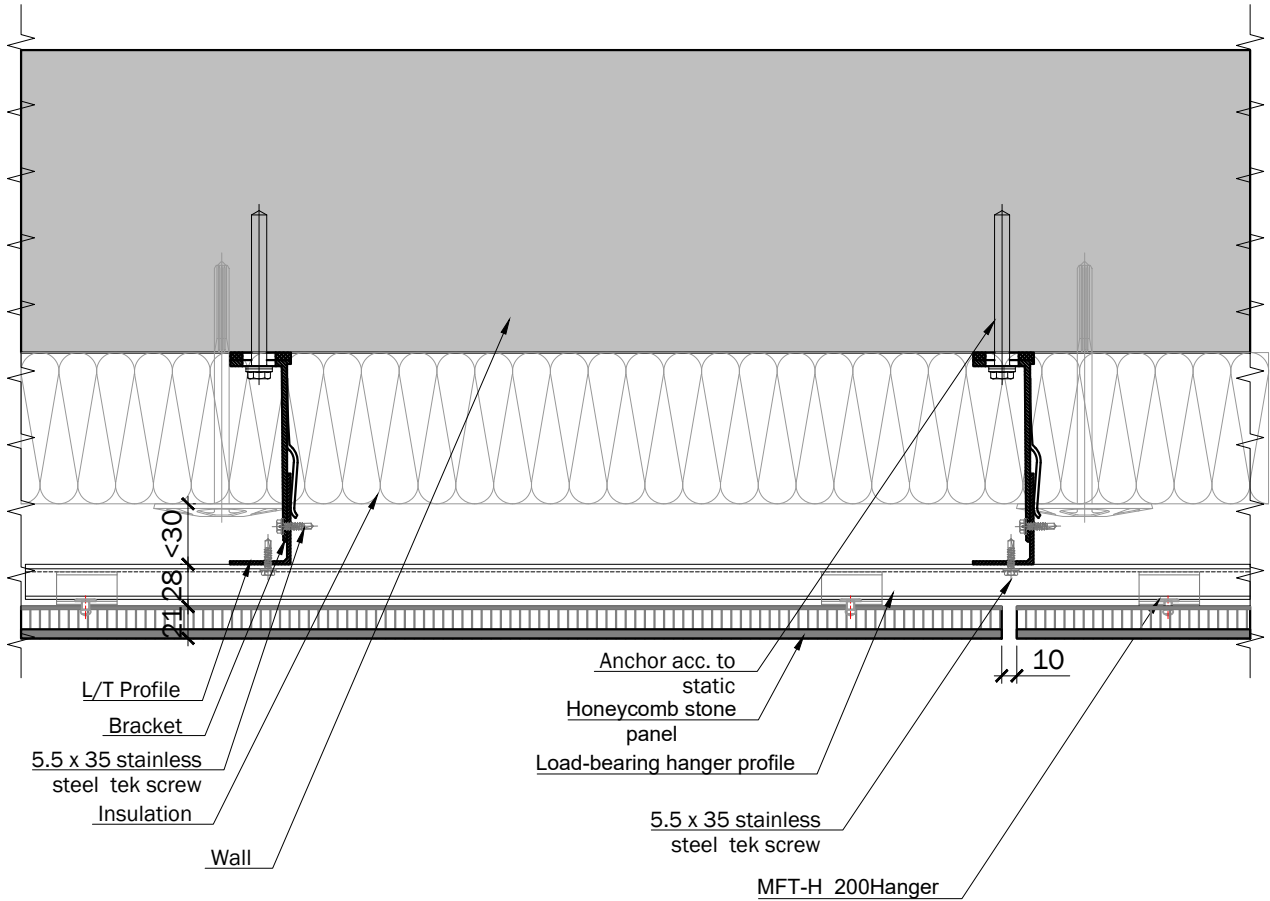
DETAIL 109



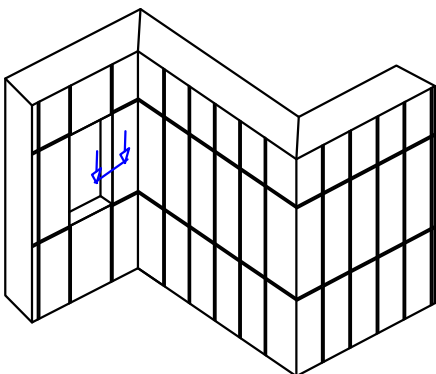
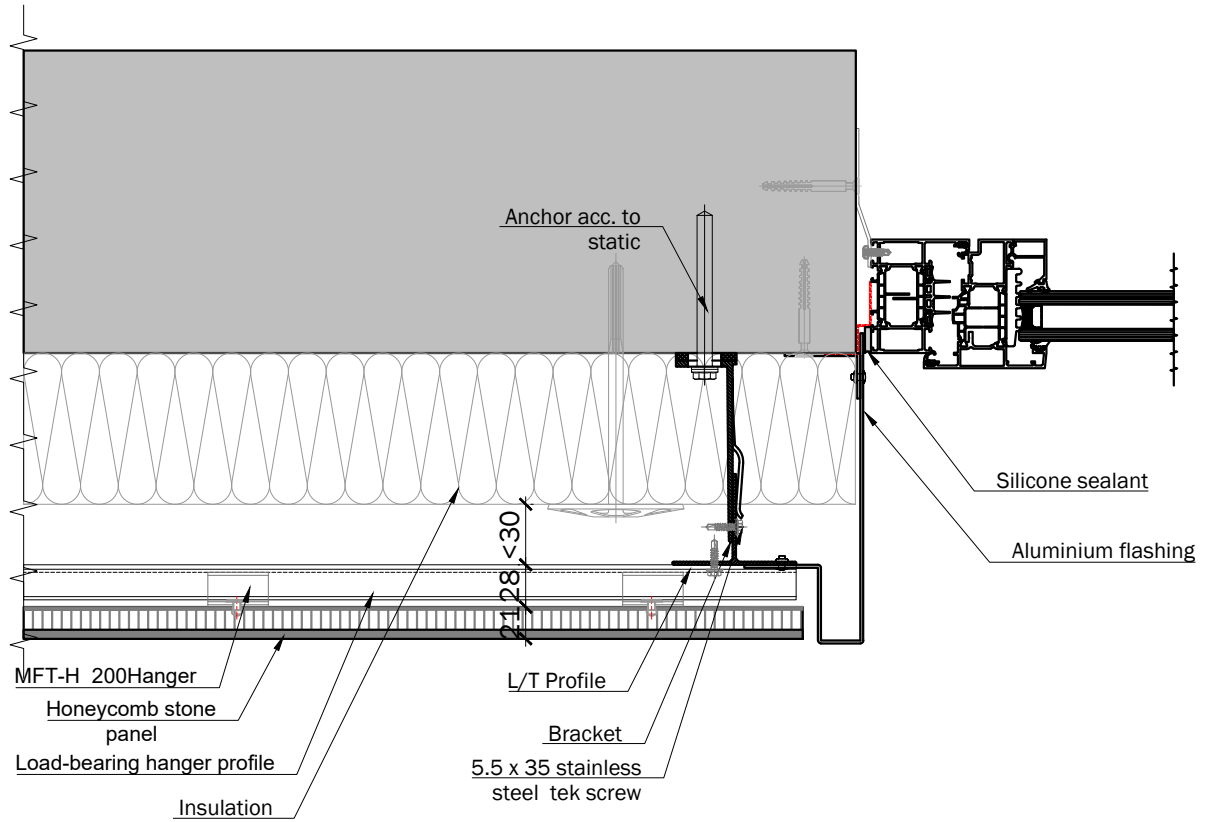
DETAIL 110



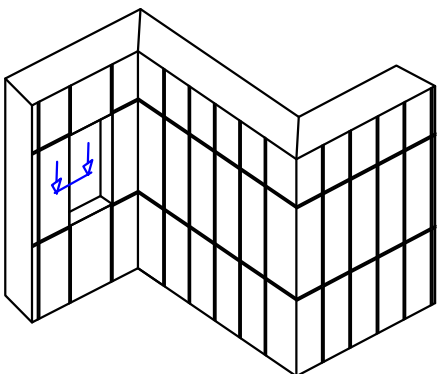
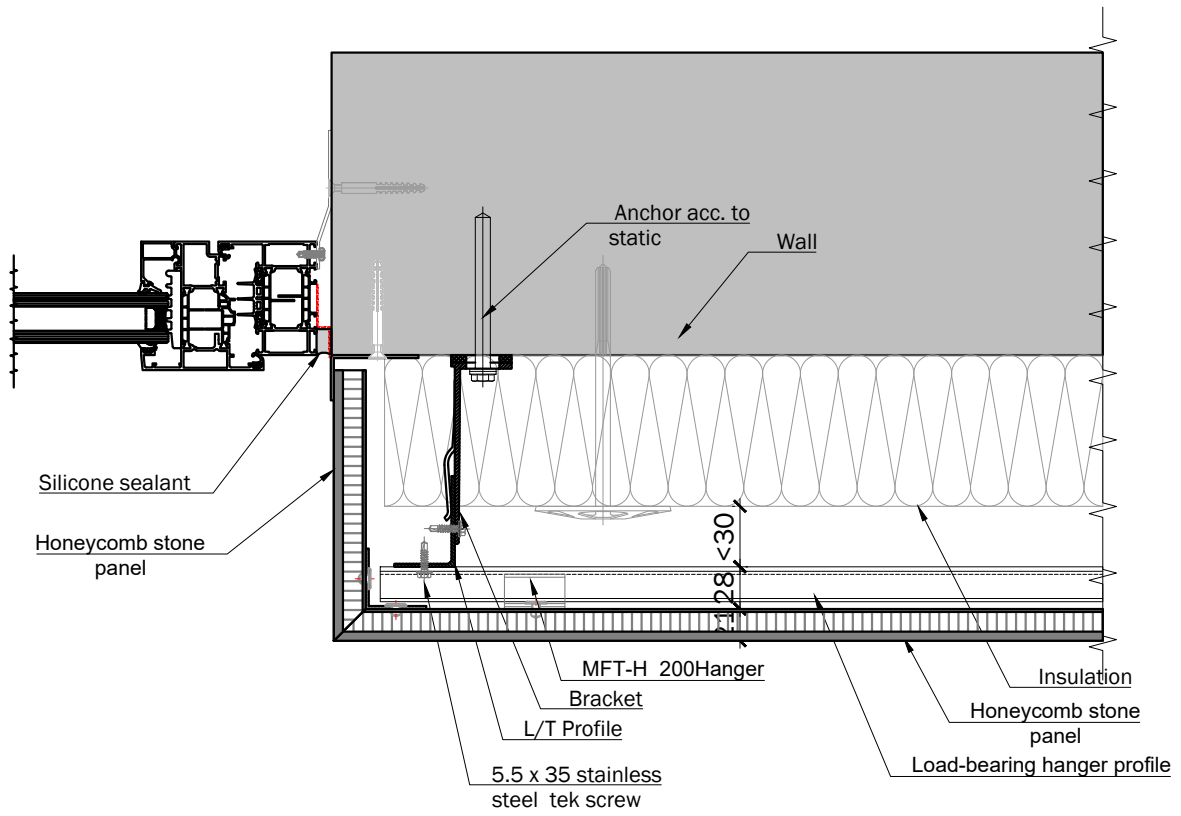
DETAIL 111



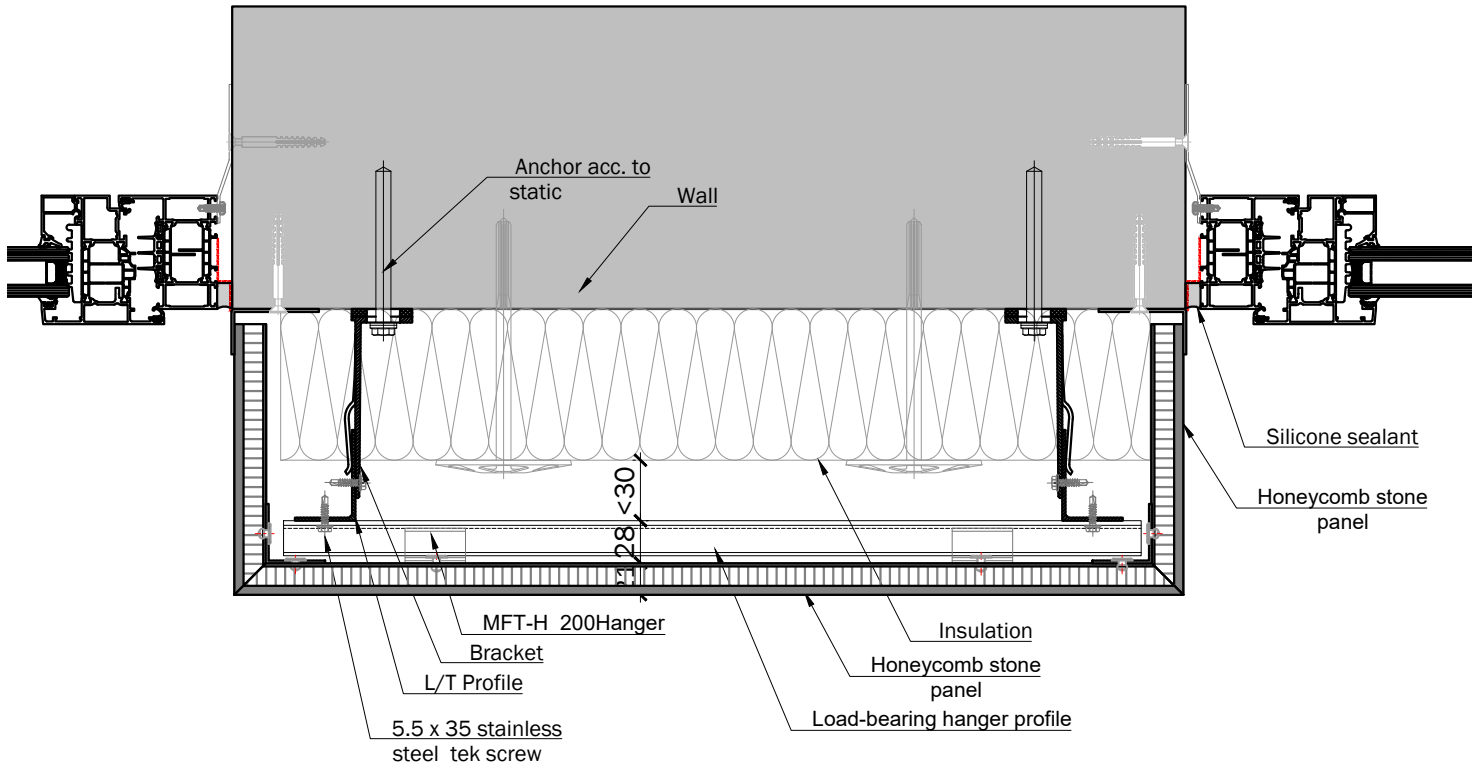
DETAIL 112



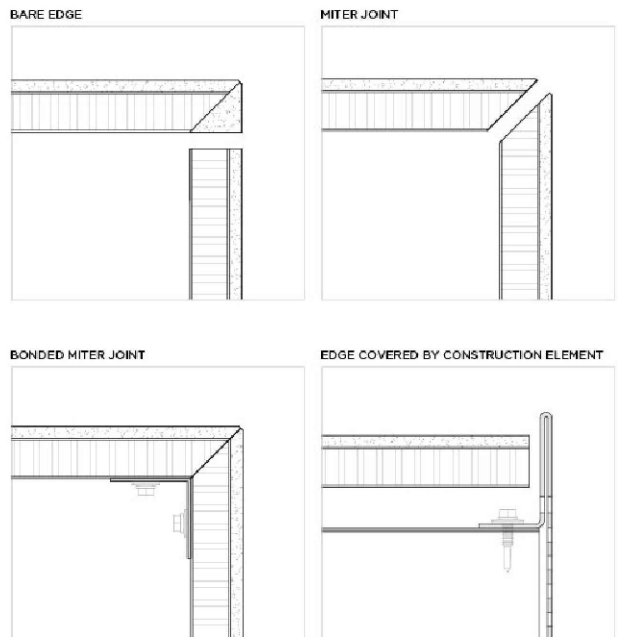
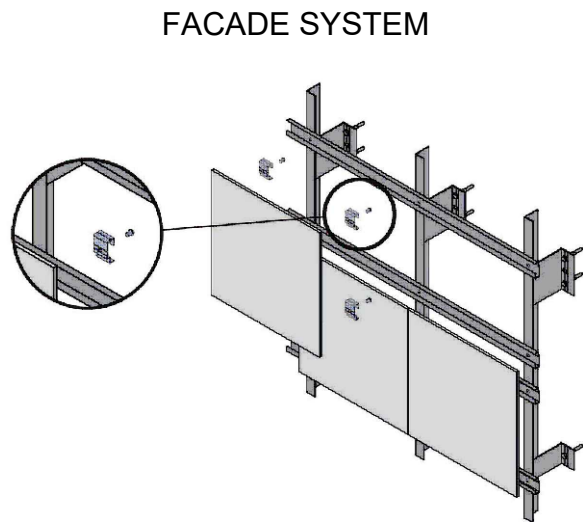
DETAIL 113

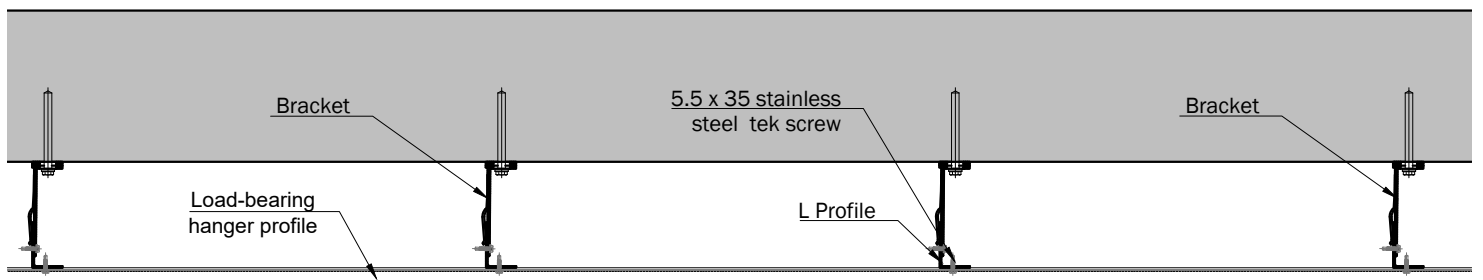
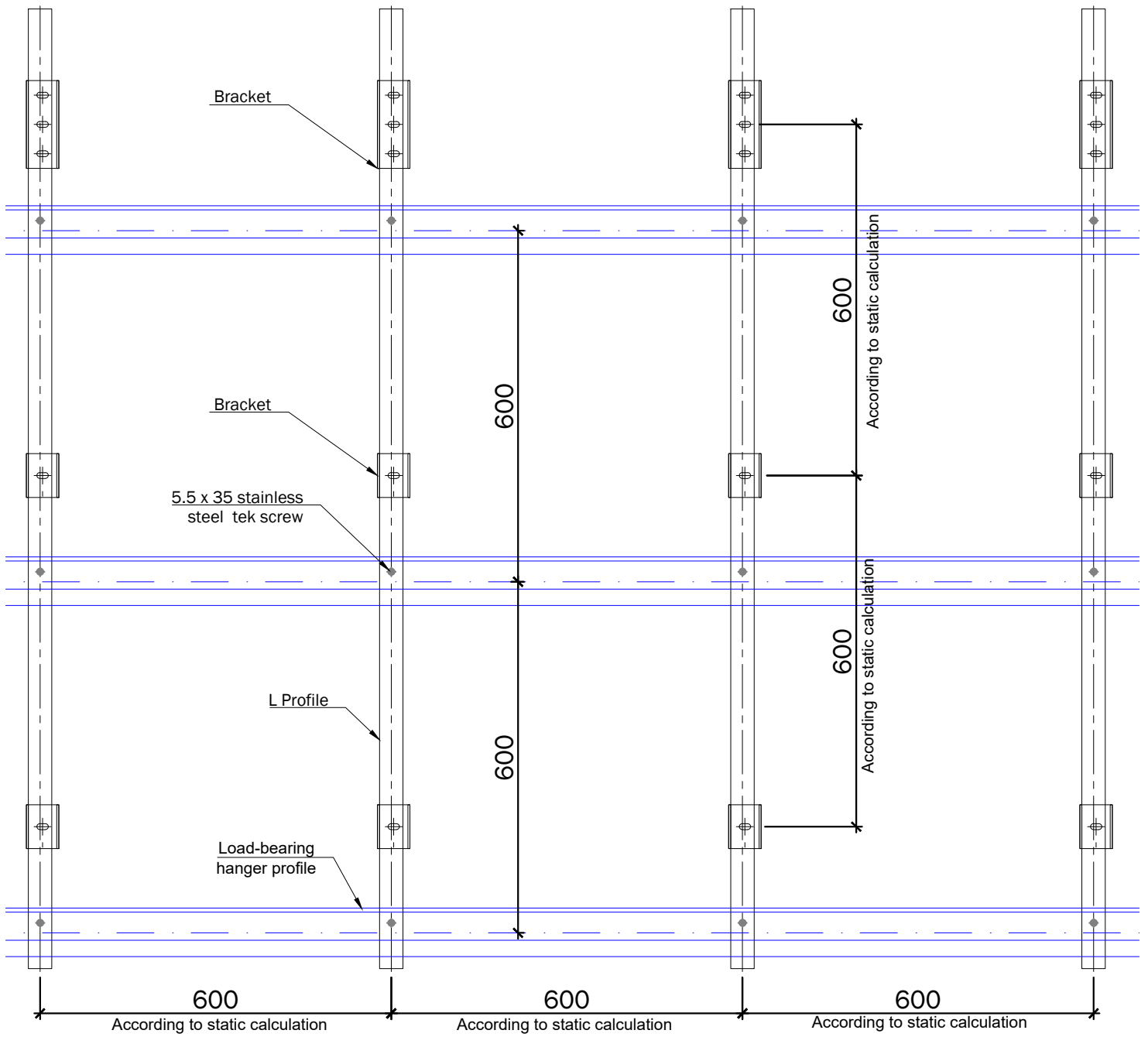


DETAIL 114



BORDERS ANNEX





All dimensions according to static calculation